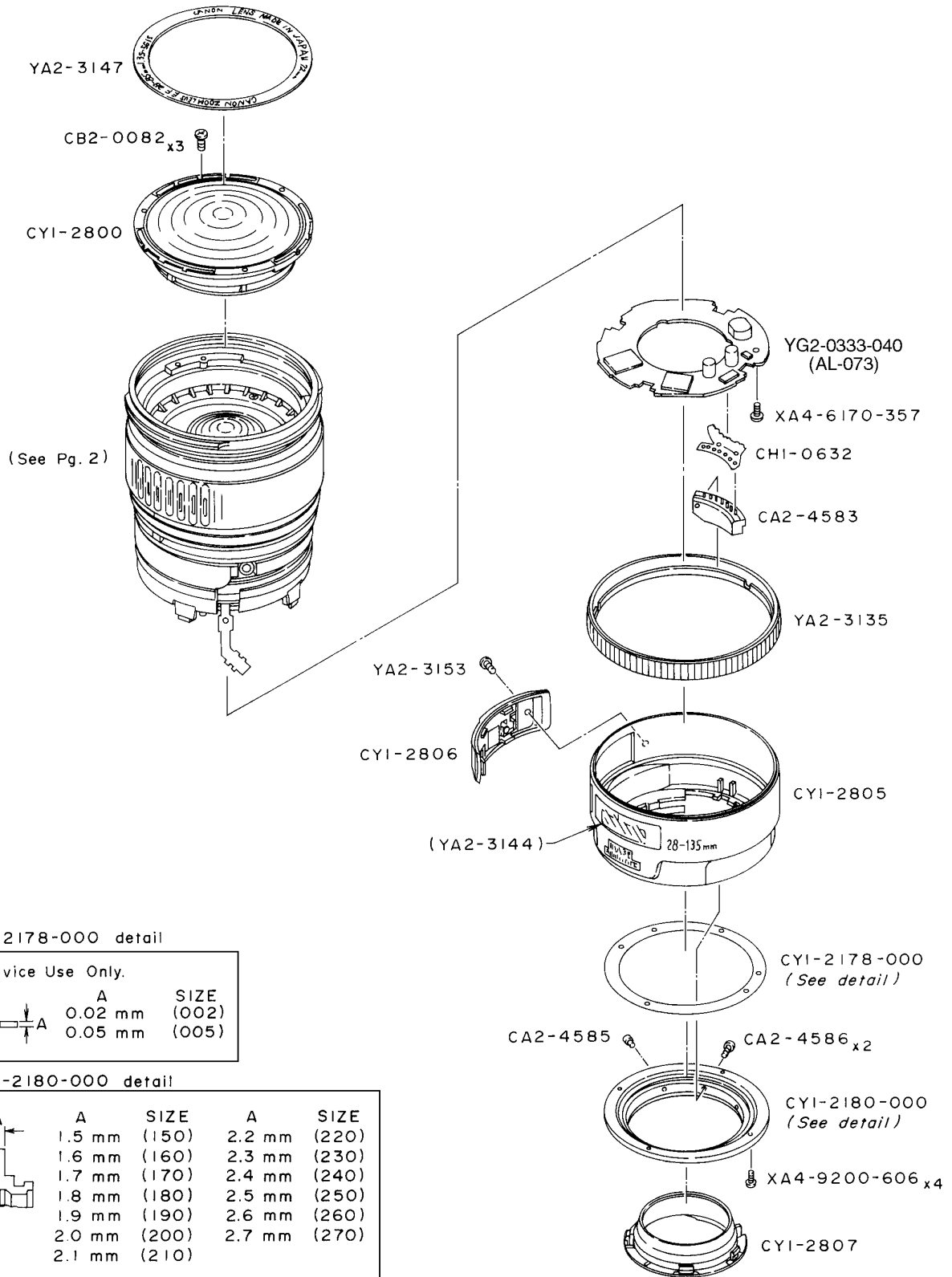


**Canon**

**EF 28-135mm 1:3.5-5.6 IS USM  
REF.NO.C21-9931**

**PARTS  
CATALOG**

# CANON LENS EF 28-135 mm 1:3.5-5.6 IS USM



CYI-2178-000 detail

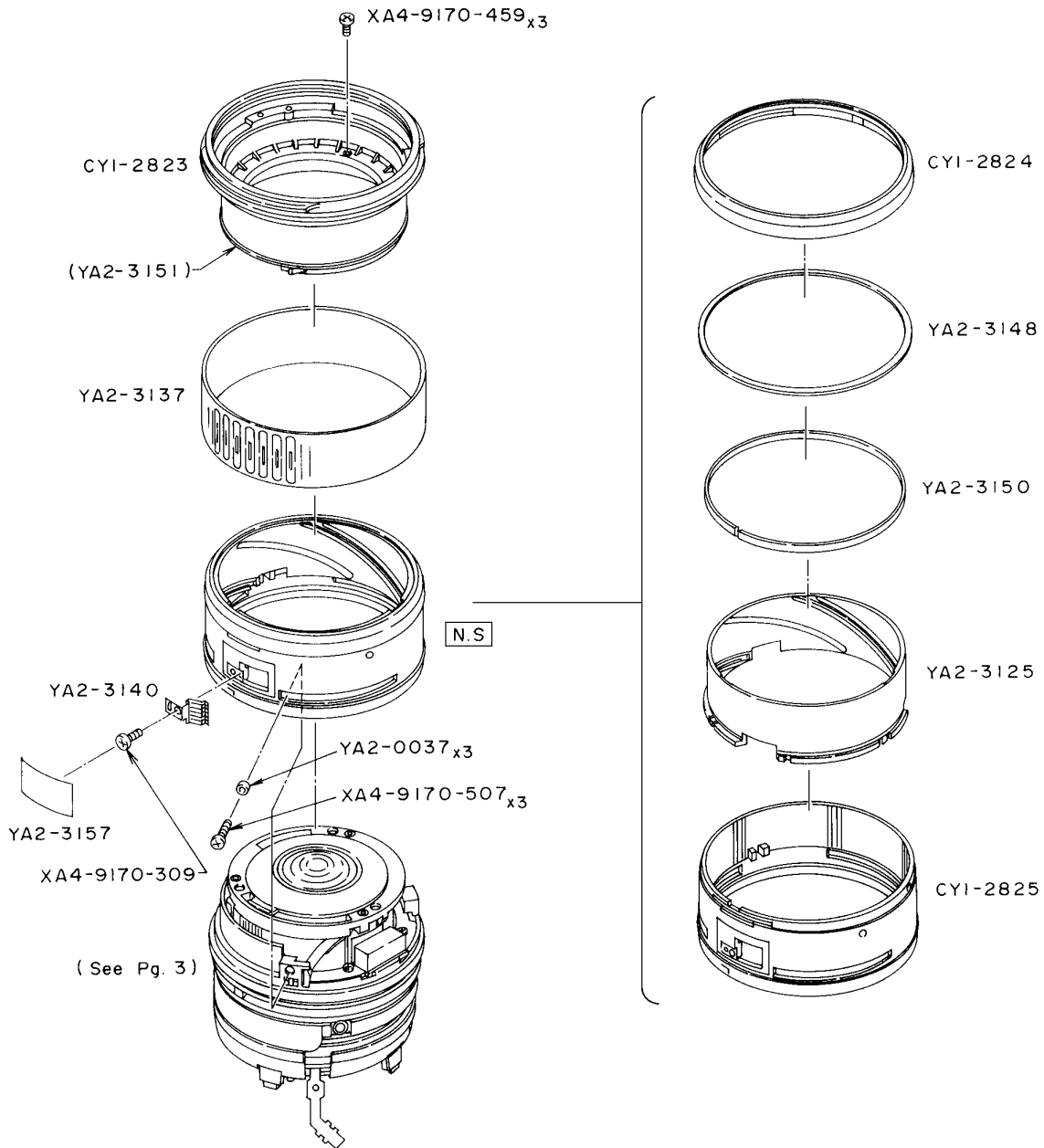
Service Use Only.

A	SIZE
0.02 mm (002)	
0.05 mm (005)	

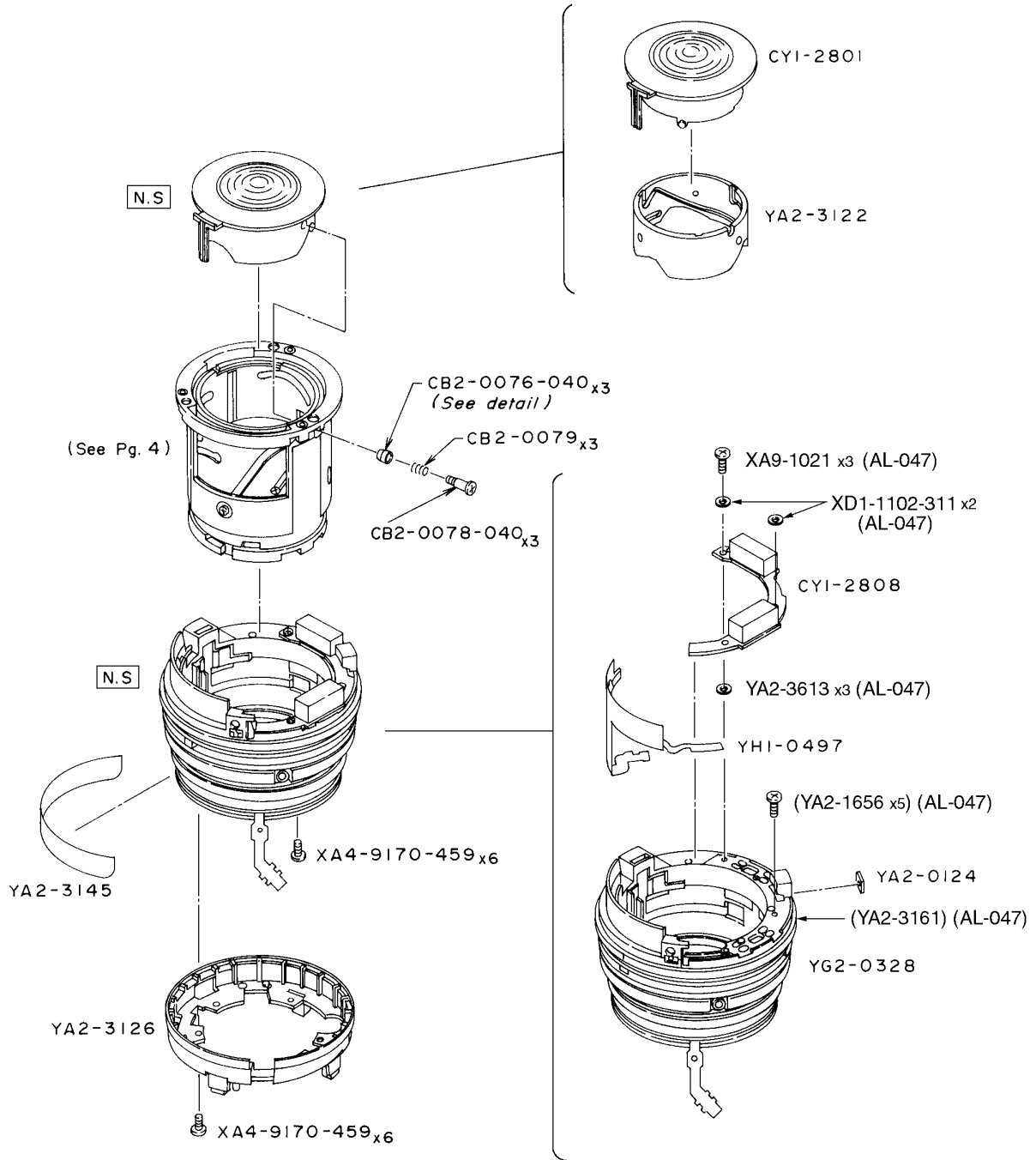
CYI-2180-000 detail

A	SIZE	A	SIZE
1.5 mm (150)		2.2 mm (220)	
1.6 mm (160)		2.3 mm (230)	
1.7 mm (170)		2.4 mm (240)	
1.8 mm (180)		2.5 mm (250)	
1.9 mm (190)		2.6 mm (260)	
2.0 mm (200)		2.7 mm (270)	
2.1 mm (210)			

# CANON LENS EF 28-135 mm 1:3.5-5.6 IS USM



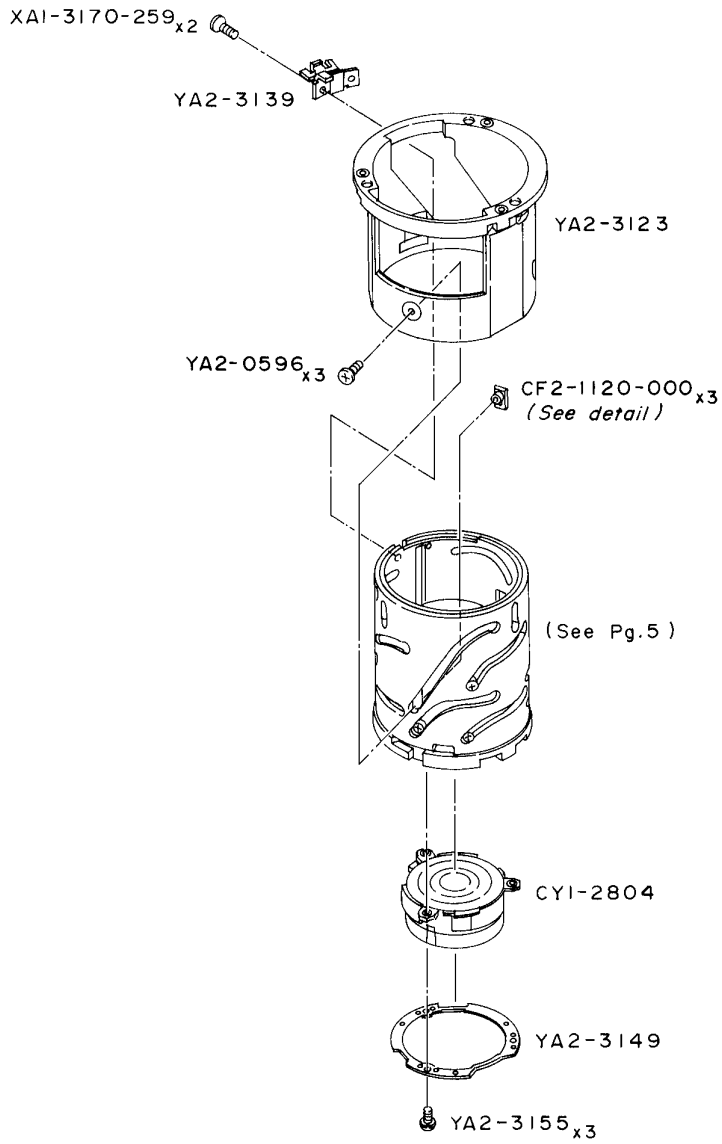
CANON LENS EF 28-135 mm 1:3.5-5.6 IS USM



CB2-0076-040 detail

	A	SIZE
↓	Φ3.99 mm	(399)
↑	Φ4.00 mm	(400)

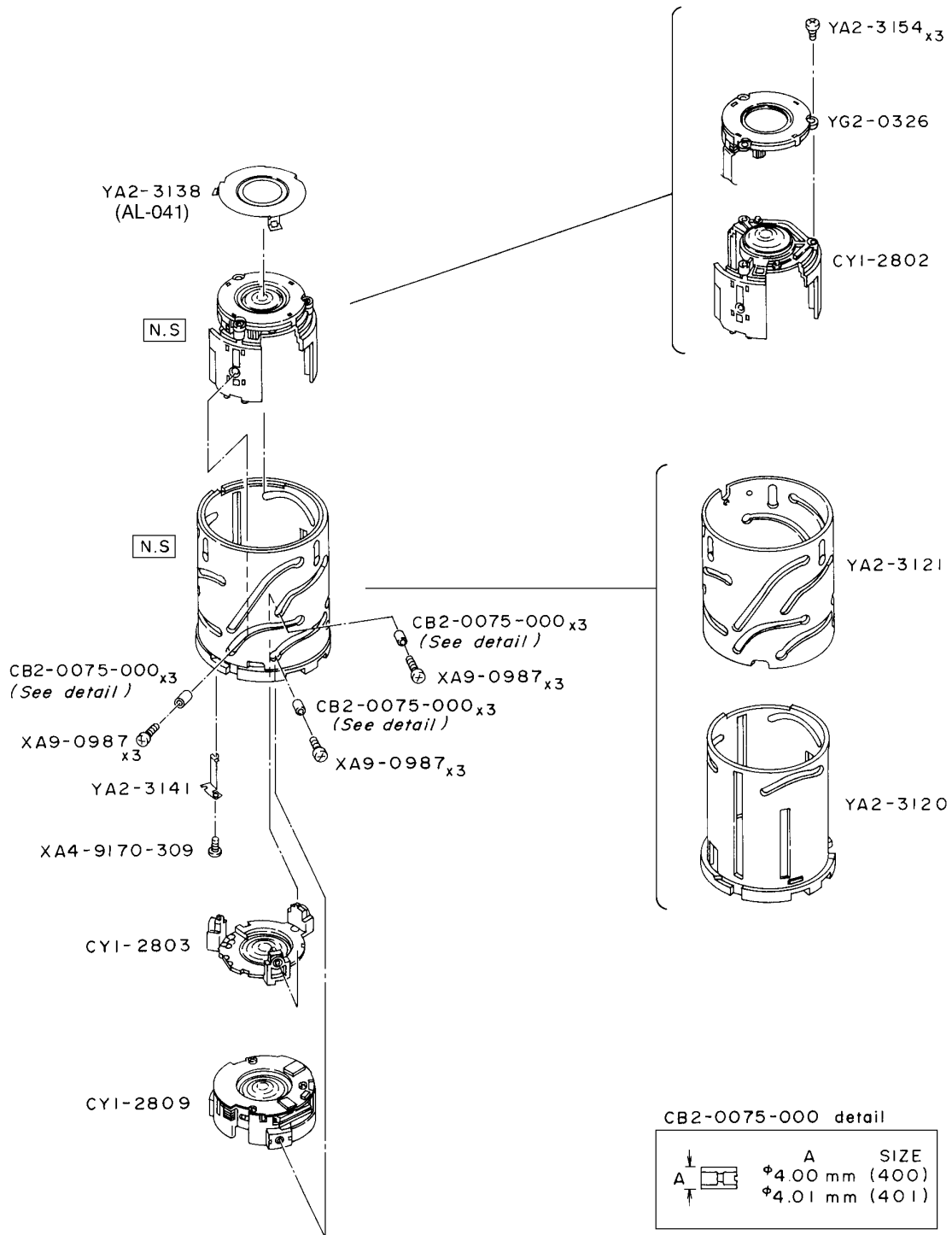
CANON LENS EF 28-135 mm 1:3.5-5.6 IS USM



CF2-1120-000 detail

	A	SIZE
↓	φ4.01 mm	(401)
↑	φ4.02 mm	(402)

CANON LENS EF 28-135 mm 1:3.5-5.6 IS USM



# PARTS LIST

REF.No.C21-9931

NEW	PARTS NO.	CLASS	QTY	DESCRIPTION	PAGE
	CA2-4583-000	D	1	CONTACT ASS'Y	1
	CA2-4585-000	E	1	SCREW, MOUNT STOPPER	1
	CA2-4586-000	E	2	SCREW	1
	CB2-0075-000(XXX)	E	9	COLLAR	5
	CB2-0076-040(XXX)	E	3	COLLAR, TAPER	3
	CB2-0078-040	E	3	SCREW, STUD	3
	CB2-0079-000	E	3	SPRING, COIL	3
	CB2-0082-000		3	SCREW, CROSS-RECESS, PH	1
	CF2-1120-000(XXX)	E	3	KEY	4
	CH1-0632-000	E	1	PCB ASS'Y, M-FLEX	1
	CY1-2178-000(XXX)	E	1	WASHER, MOUNT	1
	CY1-2180-000(XXX)	E	1	MOUNT, LENS	1
	CY1-2800-000	E	1	LENS ASS'Y, 1st GROUP	1
	CY1-2801-000	E	1	LENS ASS'Y, 2nd GROUP	3
	CY1-2802-000	E	1	LENS ASS'Y, 3rd GROUP	5
	CY1-2803-000	E	1	LENS ASS'Y, 4th GROUP	5
	CY1-2804-000	E	1	LENS ASS'Y, 6th GROUP	4
	CY1-2805-000	D	1	BARREL ASS'Y, FIXED	1
	CY1-2806-000	D	1	A/M SWITCH ASS'Y	1
	CY1-2807-000	E	1	COVER, BACK	1
	CY1-2808-000	D	1	SENSOR ASS'Y, GYRO	3
	CY1-2809-000	D	1	IS LENS UNIT	5
	CY1-2823-000	D	1	RING ASS'Y, FRONT	2
	CY1-2824-000	D	1	RING, NAME	2
	CY1-2825-000	D	1	RING, ZOOM	2
	XA1-3170-259		2	SCREW, CROSS-RECESS, PH	4
	XA4-6170-357		1	SCREW, CROSS-RECESS	1
	XA4-9170-309		2	SCREW, CROSS-RECESS, PH	2,5
	XA4-9170-459		15	SCREW, CROSS-RECESS, PH	2,3
	XA4-9170-507		3	SCREW, CROSS-RECESS, PH	2
	XA4-9200-606		4	SCREW, CROSS-RECESS, PH	1
	XA9-0987-000		9	SCREW, CROSS-RECESS, PH	5
	XA9-1021-000	F	3	SCREW	3
	XD1-1102-311	F	2	WASHER	3
	YA2-0037-000	D	3	COLLAR, ZOOMING	2
	YA2-0124-000	D	1	RUBBER, FRICTION	3
	YA2-0596-000		3	SCREW, CROSS-RECESS, PH	4
	YA2-1656-000	F	5	SCREW	3
	YA2-3120-000	E	1	BARREL, GUIDE	5
	YA2-3121-000	E	1	BARREL, CAM	5
	YA2-3122-000	E	1	BARREL, INNER CAM	3
	YA2-3123-000	E	1	BARREL, HELICOID	4
	YA2-3125-000	D	1	BARREL, INTERMEDIATE	2
	YA2-3126-000	E	1	RING, FIXED	3
	YA2-3135-000	D	1	RING, MANUAL FOCUSING	1
	YA2-3137-000	D	1	RING, RUBBER	2

# PARTS LIST

REF.No.C21-9931

NEW	PARTS NO.	CLASS	QTY	DESCRIPTION	PAGE
	YA2-3138-000	E	1	RING, FLARE	5
	YA2-3139-000	E	1	BASE, ZOOMING GUIDE	4
	YA2-3140-000	E	1	BRUSH, ZOOMING	2
	YA2-3141-000	E	1	HOLDER, EMD-FLX	5
	YA2-3144-000	D	1	WINDOW, SCALE	1
	YA2-3145-000	E	1	SCALE, FOCUSING	3
	YA2-3147-000	D	1	COVER, FILTER RING	1
	YA2-3148-000	E	1	RING, REINFORCEMENT	2
	YA2-3149-000	E	1	RING, 3rd GROUP REINFORCEMENT	4
	YA2-3150-000	D	1	SHIELD, DUST 1	2
	YA2-3151-000	D	1	SHIELD, DUST 2	2
	YA2-3153-000	F	1	SCREW	1
	YA2-3154-000	F	3	SCREW	5
	YA2-3155-000	F	3	SCREW	4
	YA2-3157-000	D	1	SHEET, DUST SHIELD	2
	YA2-3161-000	E	1	RING, INTERMEDIATE	3
	YA2-3613-000	F	3	RUBBER, VIBRATION DAMPER	3
	YG2-0326-000	E	1	POWER DIAPHRAGM ASS'Y	5
	YG2-0328-000	D	1	FOCUSING ASS'Y	3
	YG2-0333-040	E	1	PCB ASS'Y, MAIN	1
	YH1-0497-000	E	1	FPC, GYRO & ZOOM	3



CANON LENS EF 28-135mm 1:3.5-5.6 IS USM

