

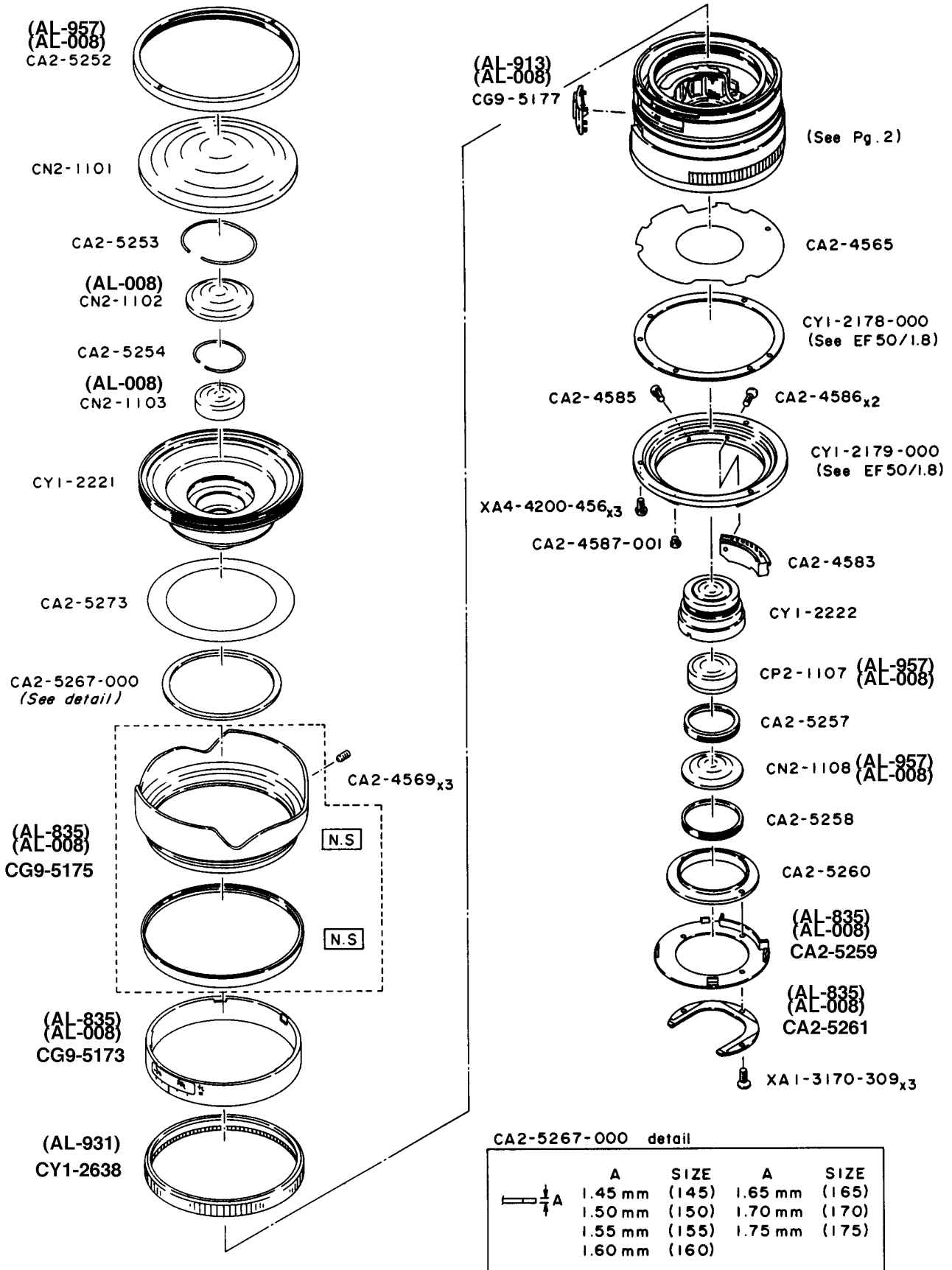
Canon

**FISH-EYE EF15mm 1:2.8
REF.NO.C21-5291**

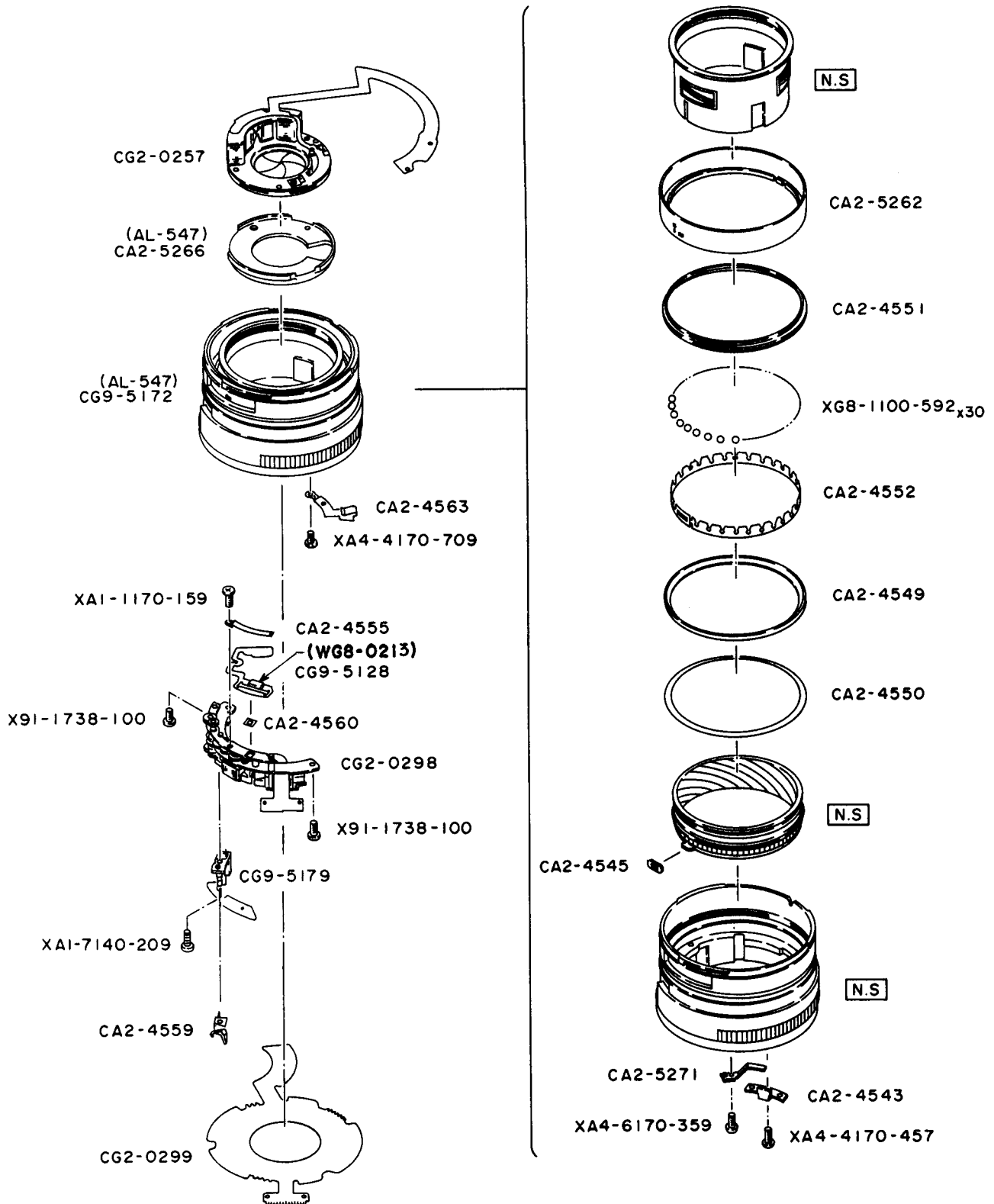
(Classification No.end : to 05)

**PARTS
CATALOG**

CANON LENS FISH-EYE EF 15 mm 1:2.8



CANON LENS FISH-EYE EF 15 mm 1:2.8



P A R T S L I S T

REF.No.C21-5291 EF15/2.8

NEW	PART NO.	CLASS	QTY	DESCRIPTION	PAGE
	CA2-4543-000	D	1	KEY, HERICOID	2
	CA2-4545-000	D	1	RUBBER, STOPPER	2
	CA2-4549-000	D	1	RACE, BALL	2
	CA2-4550-000	E	1	WASHER, CUPPED	2
	CA2-4551-000	D	1	RACE, THREADED	2
	CA2-4552-000	D	1	RATAINER	2
	CA2-4555-000	E	1	HOLDER, SENSOR	2
	CA2-4559-000	E	1	LEVER, CLUTCH	2
	CA2-4560-000	E	1	SPACER	2
	CA2-4563-000	E	1	HOLDER, FLEX	2
	CA2-4565-000	E	1	SHEET, SHIELD	1
	CA2-4569-000	E	3	SCREW	1
	CA2-4583-000	D	1	CONTACT ASSY	1
	CA2-4585-000	E	1	SCREW, MOUNT STOPPER	1
	CA2-4586-000	E	2	SCREW	1
	CA2-4587-001	E	1	SCREW, BLIND	1
	CA2-5252-000	D	1	COLLAR, ASSEMBLY	1
	CA2-5253-000	E	1	RING, SNAP	1
	CA2-5254-000	E	1	RING, SNAP	1
	CA2-5257-000	E	1	COLLAR, ASSEMBLY	1
	CA2-5258-000	D	1	COLLAR, ASSEMBLY	1
	CA2-5259-000	D	1	COVER, BACK(1)	1
	CA2-5260-000	D	1	COVER, BACK(2)	1
	CA2-5261-000	D	1	HOLDER, FILTER	1
	CA2-5262-000	E	1	RING, SCALE	2
	CA2-5266-000	E	1	SPACER	2
	CA2-5267-000(xxx)	E	1	WASHER, ADJUSTING	1
	CA2-5271-000	D	1	STOPPER, HELICOID	2
	CA2-5273-000	E	1	WASHER, DUST SHIELD	1
	CG2-0257-000	D	1	POWER, DIAPHRAGM UNIT	2
	CG2-0298-000	D	1	AF DRIVE UNIT	2
	CG2-0299-000	E	1	MAIN FLEX CBA	2
	CG9-5128-000	E	1	PHOTO REFLECTOR CBA	2
	CG9-5172-000	D	1	FOCUSING UNIT	2
	CG9-5173-000	D	1	RING, INDEX	1
	CG9-5175-000	C	1	NAME RING UNIT	1
	CG9-5177-000	D	1	FRAME, SWITCH KNOB	1
	CG9-5179-000	E	1	SWITCH UNIT	2
	CN2-1101-000	C	1	LENS, G1	1
	CN2-1102-000	E	1	LENS, G2	1
	CN2-1103-000	E	1	LENS, G3	1
	CN2-1108-000	C	1	LENS, G8	1
	CP2-1107-000	E	1	LENS, G6/7	1
	CY1-2178-000(xxx)	E	1	WASHER, MOUNT	1
	CY1-2179-000(xxx)	E	1	MOUNT, LENS	1

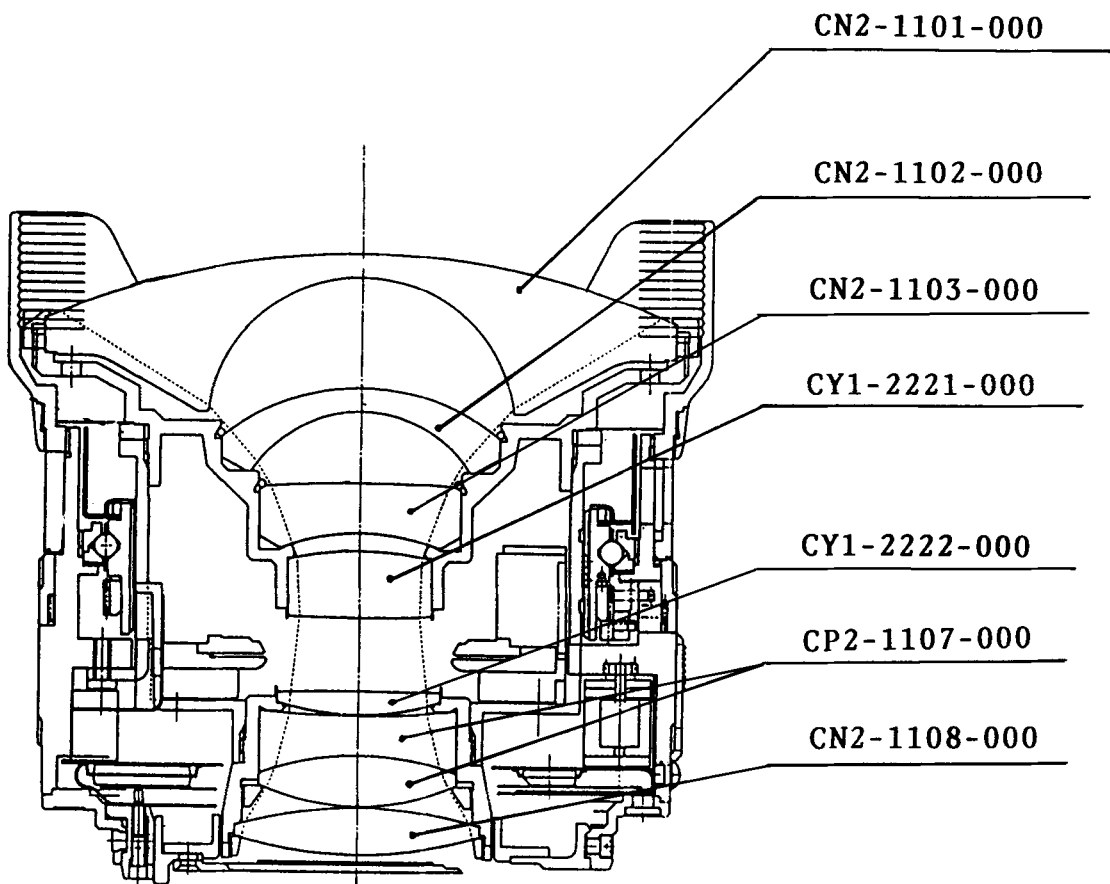
PARTS LIST

REF.No.C21-5291 EF15/2.8

NEW	PART NO.	CLASS	QTY	DESCRIPTION	PAGE
	CY1-2221-000	D	1	LENS/BARREL	1
	CY1-2222-000	D	1	LENS/BARREL	2
	CY1-2638-000	D	1	RING, MANUAL FOCUSING	1
	WG8-0213-000	E	1	PHOTO REFLECTOR	2
	X91-1738-100		2	SCREW, CROSS-RECESS, PH	2
	XA1-1170-159		1	SCREW, CROSS-RECESS, PH	1
	XA1-3170-309		3	SCREW, CROSS-RECESS, FCH	2
	XA1-7140-209		1	SCREW, CROSS-RECESS, PH	2
	XA4-4170-457		1	SCREW, CROSS-RECESS, PH	1
	XA4-4170-709		1	SCREW, CROSS-RECESS, PH	2
	XA4-4200-456		3	SCREW, CROSS-RECESS, PH	2
	XA4-6170-359		1	SCREW, CROSS-RECESS, PH	2
	XG8-1100-592		30	BALL, STEEL	2

CANON LENS FISH-EYE EF 15 mm 1:2.8

REF. NO. C21-5291



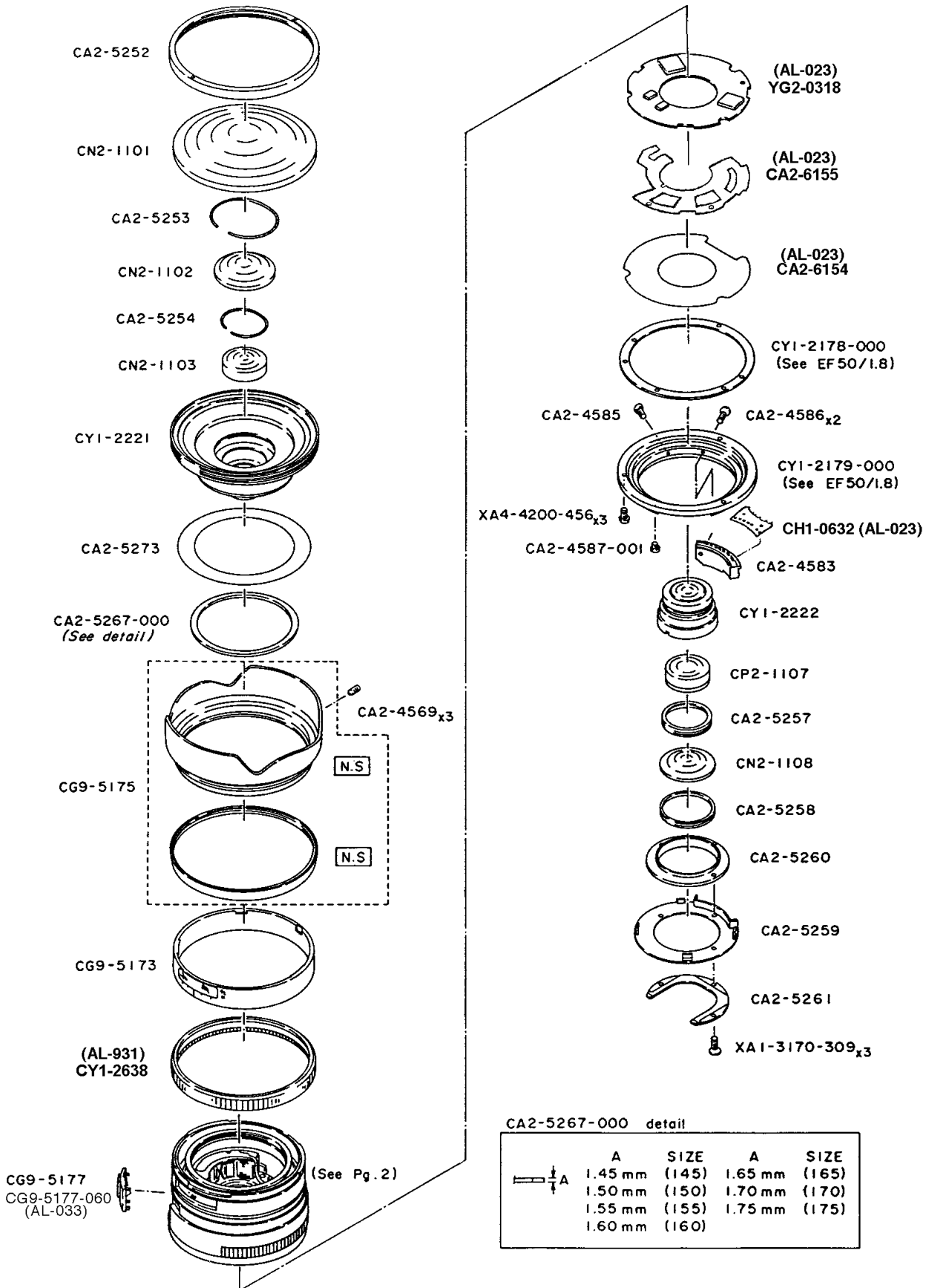
Canon

FISH-EYE EF15mm 1:2.8
REF.NO.C21-5291

(Classification No.end : from 06)

PARTS
CATALOG

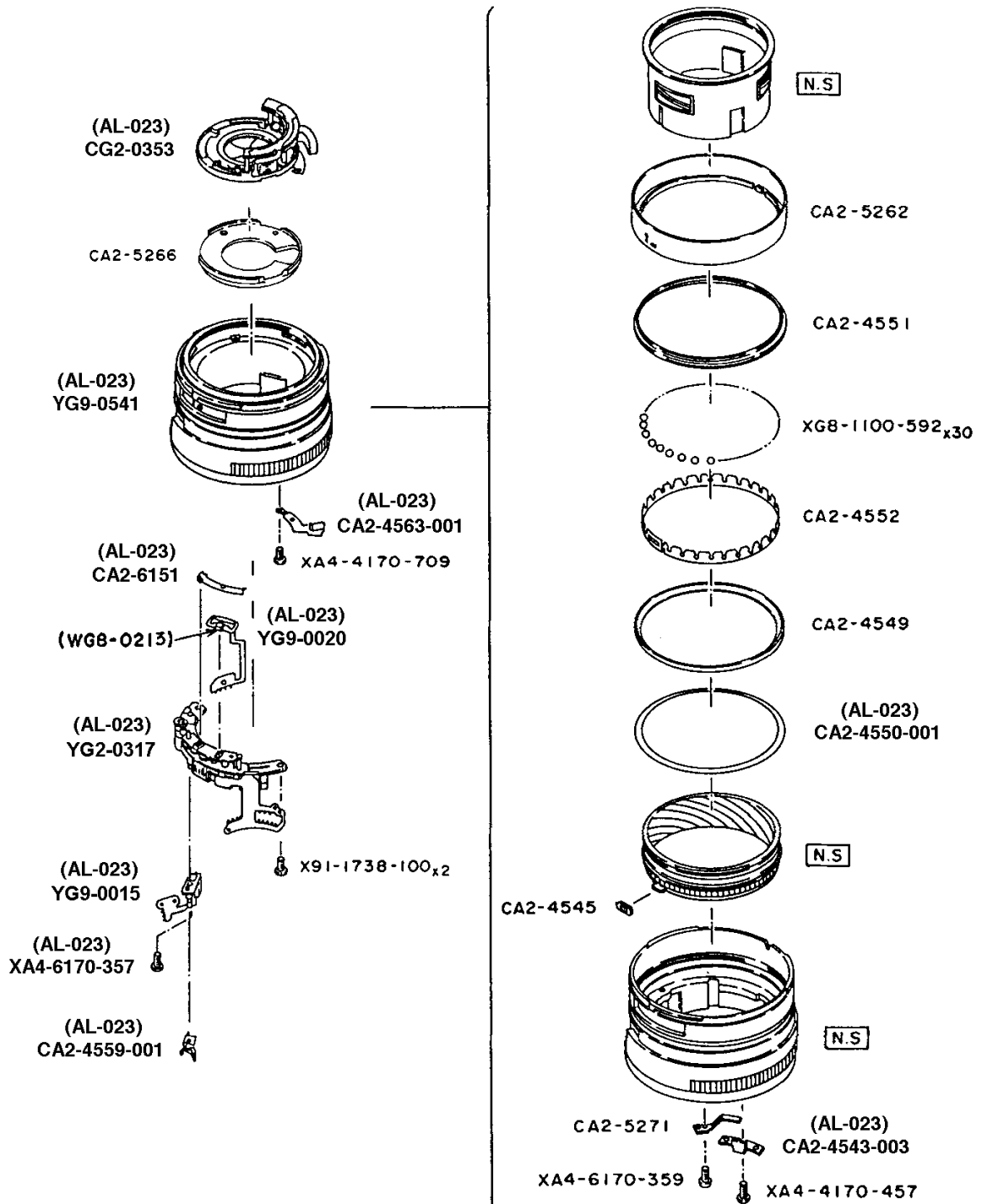
CANON LENS FISH-EYE EF 15 mm 1:2.8



CA2-5267-000 detail

	A	SIZE	A	SIZE
	1.45 mm	(145)	1.65 mm	(165)
	1.50 mm	(150)	1.70 mm	(170)
	1.55 mm	(155)	1.75 mm	(175)
	1.60 mm	(160)		

CANON LENS FISH-EYE EF 15 mm 1:2.8



PARTS LIST

REF.No.C21-5291 EF15/2.8

NEW	PART NO.	CLASS	QTY	DESCRIPTION	PAGE
	CA2-4543-003	D	1	KEY, HELICOID	2
	CA2-4545-000	D	1	RUBBER, STOPPER	2
	CA2-4549-000	D	1	RACE, BALL	2
	CA2-4550-001	E	1	WASHER, CUPPED	2
	CA2-4551-000	D	1	RACE, THREADED	2
	CA2-4552-000	D	1	RATAINER	2
	CA2-4559-001	E	1	LEVER, CLUTCH	2
	CA2-4563-001	E	1	HOLDER, FLEX	2
	CA2-4569-000	E	3	SCREW	1
	CA2-4583-000	D	1	CONTACT ASS'Y	1
	CA2-4585-000	E	1	SCREW, MOUNT STOPPER	1
	CA2-4586-000	E	2	SCREW	1
	CA2-4587-001	E	1	SCREW, BLIND	1
	CA2-5252-000	D	1	COLLAR, ASSEMBLY	1
	CA2-5253-000	E	1	RING, SNAP	1
	CA2-5254-000	E	1	RING, SNAP	1
	CA2-5257-000	E	1	COLLAR, ASSEMBLY	1
	CA2-5258-000	D	1	COLLAR, ASSEMBLY	1
	CA2-5259-000	D	1	COVER, BACK(1)	1
	CA2-5260-000	D	1	COVER, BACK(2)	1
	CA2-5261-000	D	1	HOLDER, FILTER	1
	CA2-5262-000	E	1	RING, SCALE	2
	CA2-5266-000	E	1	SPACER	2
	CA2-5267-000(xxx)	E	1	WASHER, ADJUSTING	1
	CA2-5271-000	D	1	STOPPER, HELICOID	2
	CA2-5273-000	E	1	WASHER, DUST SHIELD	1
	CA2-6151-000	E	1	HOLDER, SENSOR	2
	CA2-6154-000	E	1	SHEET, SHIELD	1
	CA2-6155-000	E	1	TAPE, DOUBLE SIDED	2
	CG2-0353-000	D	1	POWER DIAPHRAGM UNIT	2
	CG9-5173-000	D	1	RING, INDEX	1
	CG9-5175-000	C	1	NAME RING UNIT	1
	CG9-5177-000	D	1	FRAME, SWITCH KNOB	1
	CG9-5177-060	D	1	FRAME, SWITCH KNOB	1
	CH1-0632-000	E	1	PCB ASS'Y, M-FLEX	1
	CN2-1101-000	C	1	LENS, G1	1
	CN2-1102-000	E	1	LENS, G2	1
	CN2-1103-000	E	1	LENS, G3	1
	CN2-1108-000	C	1	LENS, G8	1
	CP2-1107-000	E	1	LENS, G6/7	1
	CY1-2178-000(xxx)	E	1	WASHER, MOUNT	1
	CY1-2179-000(xxx)	E	1	MOUNT, LENS	1
	CY1-2221-000	D	1	LENS/BARREL	1
	CY1-2222-000	D	1	LENS/BARREL	2
	CY1-2638-000	D	1	RING, MANUAL FOCUSING	1

PARTS LIST

REF.No.C21-5291 EF15/2.8

NEW	PART NO.	CLASS	QTY	DESCRIPTION	PAGE
	WG8-0213-000	E	1	PHOTO REFLECTOR	2
	X91-1738-100		2	SCREW, CROSS-RECESS, PH	2
	XA1-3170-309		3	SCREW, CROSS-RECESS, FCH	1
	XA4-4170-457		1	SCREW, CROSS-RECESS, PH	2
	XA4-4170-709		1	SCREW, CROSS-RECESS, PH	2
	XA4-4200-456		3	SCREW, CROSS-RECESS, PH	1
	XA4-6170-357		1	SCREW	2
	XA4-6170-359		1	SCREW, CROSS-RECESS, PH	2
	XG8-1100-592		30	BALL, STEEL	2
	YG2-0317-000	D	1	AF DRIVE UNIT	2
	YG2-0318-000	E	1	PCB ASS'Y, MAIN	1
	YG9-0015-000	E	1	SWITCH UNIT	2
	YG9-0020-000	E	1	PCB ASS'Y, PHOTO REFLECTOR	2
	YG9-0541-000	D	1	FOCUSING UNIT	2

CANON LENS FISH-EYE EF 15 mm 1:2.8

REF. NO. C21-5291

